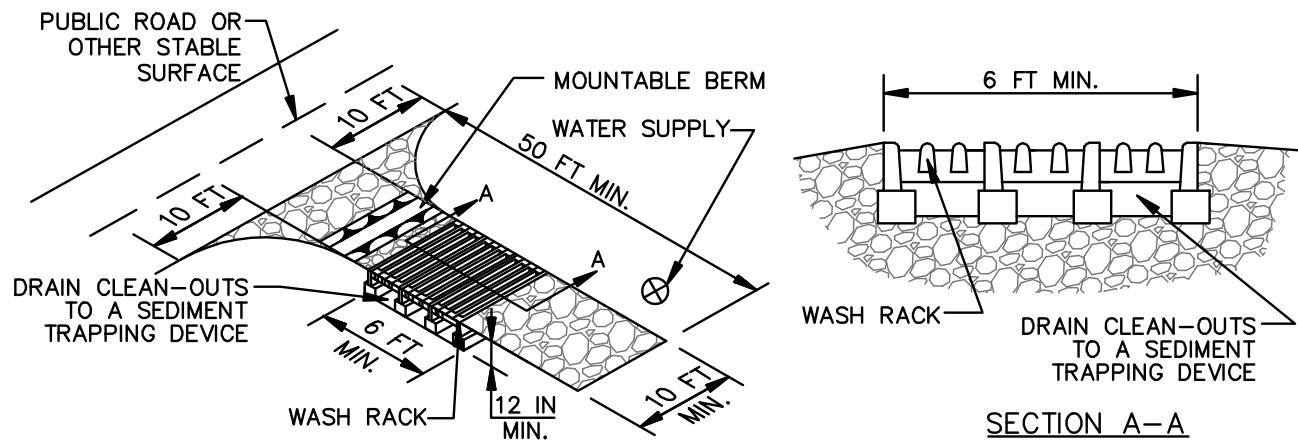
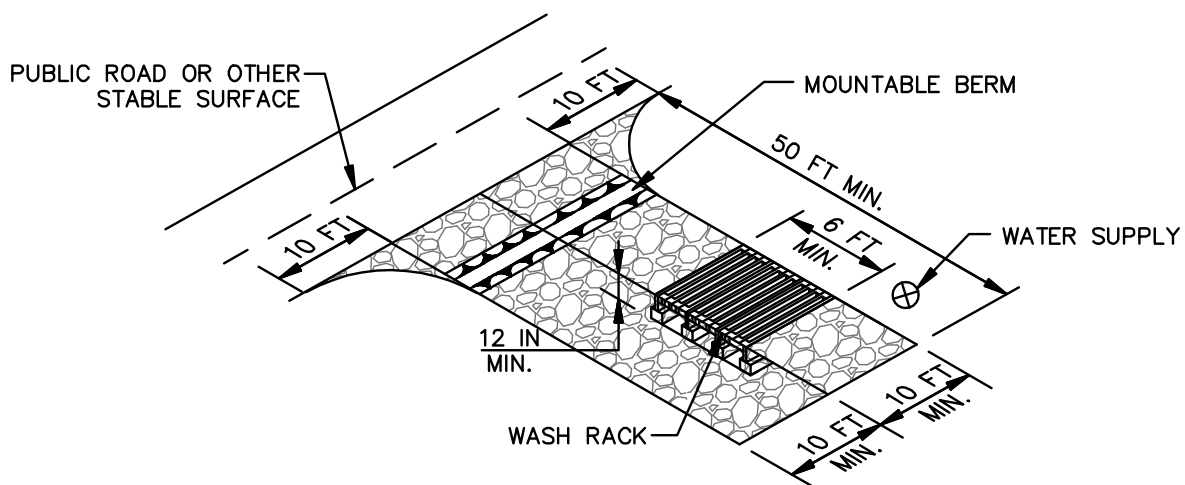


DETAIL B-2 WASH RACK OPTION

STANDARD SYMBOL



ISOMETRIC VIEW – WASH RACK IN SCE



ISOMETRIC VIEW– WASH RACK ALONG SCE

CONSTRUCTION SPECIFICATIONS

1. USE A WASH RACK DESIGNED AND CONSTRUCTED/MANUFACTURED FOR THE ANTICIPATED TRAFFIC LOADS. CONCRETE, STEEL, OR OTHER MATERIALS ARE ACCEPTABLE. PRE-FABRICATED UNITS SUCH AS CATTLE GUARDS ARE ACCEPTABLE. USE MINIMUM DIMENSION OF 6 FEET x 10 FEET. ORIENT DIRECTION OF RIBS AS SHOWN ON THE DETAIL.
2. INSTALL PRIOR TO, ALONG SIDE OF, OR AS PART OF THE SCE.
3. DIRECT WASH WATER TO AN APPROVED SEDIMENT TRAPPING DEVICE.
4. KEEP AREA UNDER WASH RACK FREE OF ACCUMULATED SEDIMENT. IF DAMAGED, REPAIR OR REPLACE WASH RACK.

MARYLAND STANDARDS AND SPECIFICATIONS FOR SOIL EROSION AND SEDIMENT CONTROL