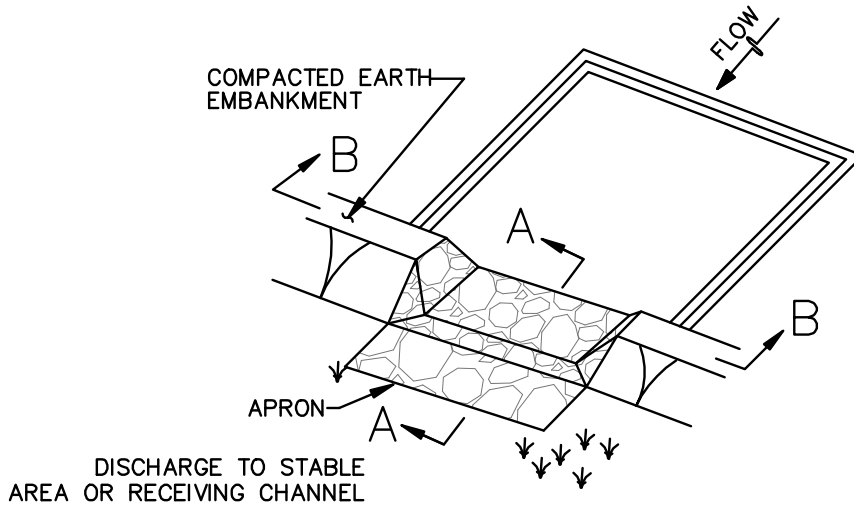


# DETAIL G-1-2 STONE/RIPRAP OUTLET SEDIMENT TRAP ST-II

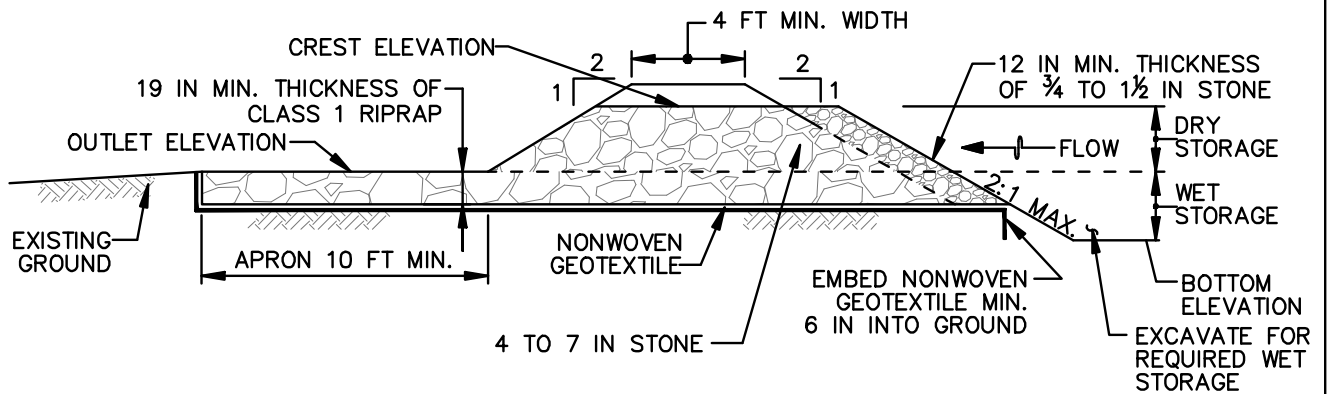
STANDARD SYMBOL

ST-II

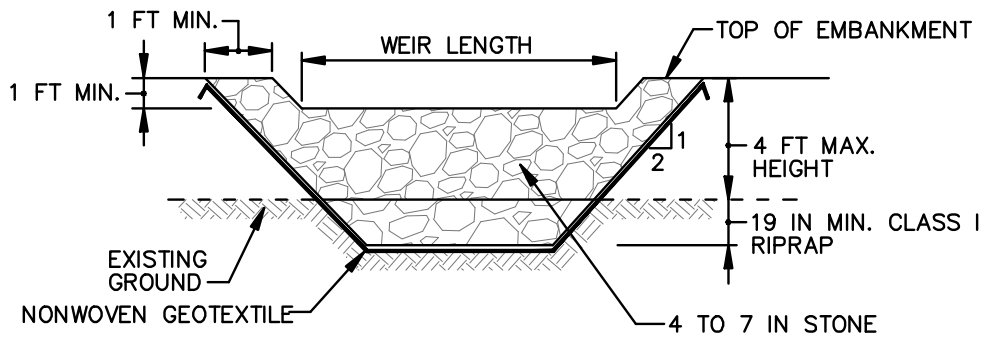
MAXIMUM DRAINAGE AREA = 10 ACRES



ISOMETRIC VIEW



SECTION A-A



SECTION B-B