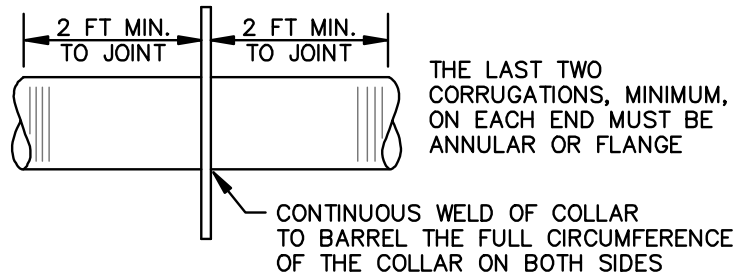
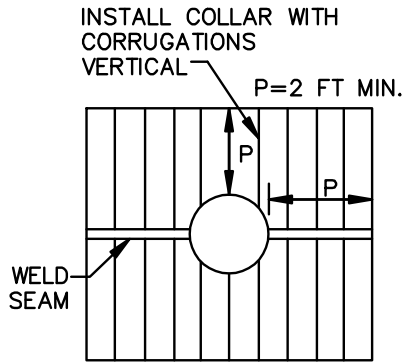
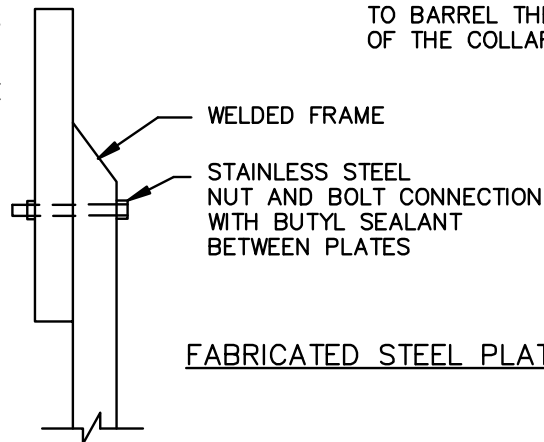


DETAIL G-2-1 TYPICAL ANTI-SEEP COLLARS

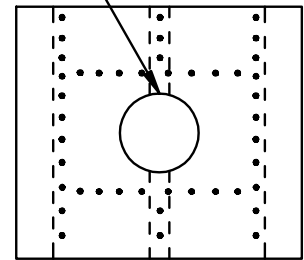


CORRUGATED COLLAR WELDED IN PLACE ON BARREL SECTION

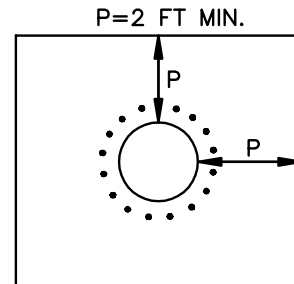
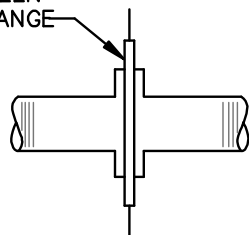
PLATES TO BE PRECUT, CLAMPED TOGETHER, PRE-DRILLED, AND LABELED TO FACILITATE WATERTIGHT FIELD ASSEMBLY



CONTINUOUS WELD OF COLLAR TO BARREL THE FULL CIRCUMFERENCE OF THE COLLAR ON BOTH SIDES



USE BUTYL SEALANT BETWEEN PLATE AND FLANGE



COLLAR FOR FLANGE JOINT PIPE