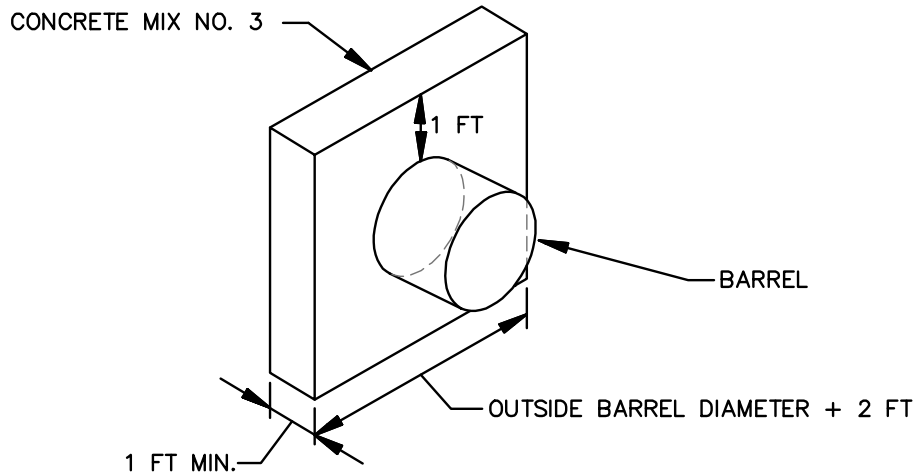
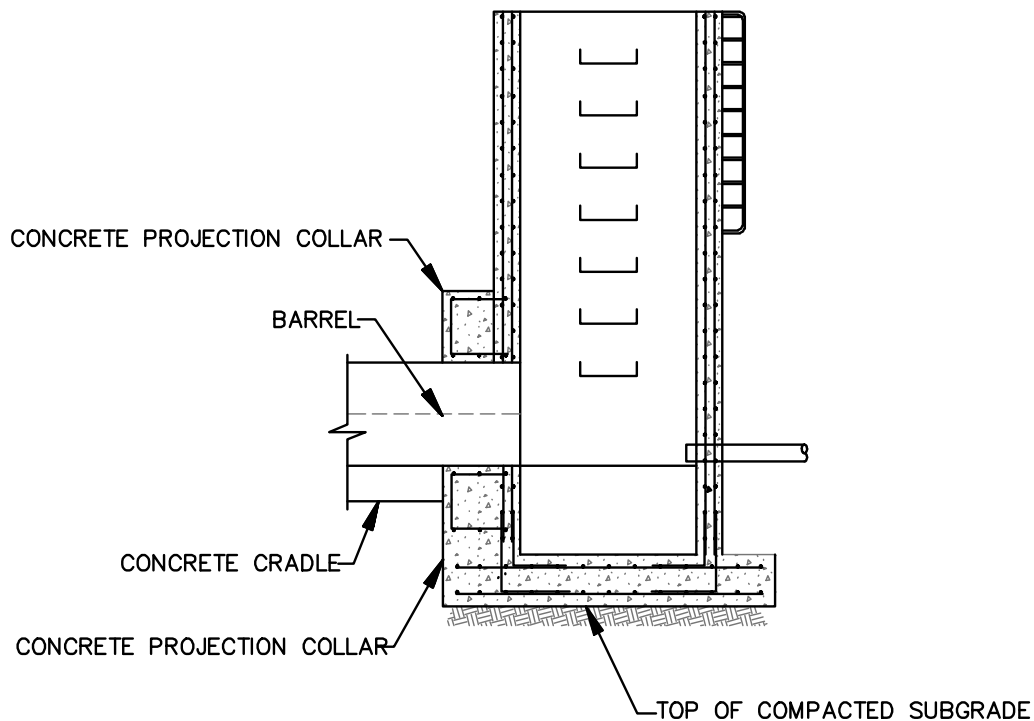


**DETAIL G-2-9 PROJECTION COLLAR**CONCRETE COLLAR DETAILELEVATIONCONSTRUCTION SPECIFICATIONS

1. CAST 1 FOOT THICK CONCRETE COLLAR TO OUTLET STRUCTURE WITH FOUR #4 U-SHAPED REBARS.

MARYLAND STANDARDS AND SPECIFICATIONS FOR SOIL EROSION AND SEDIMENT CONTROL