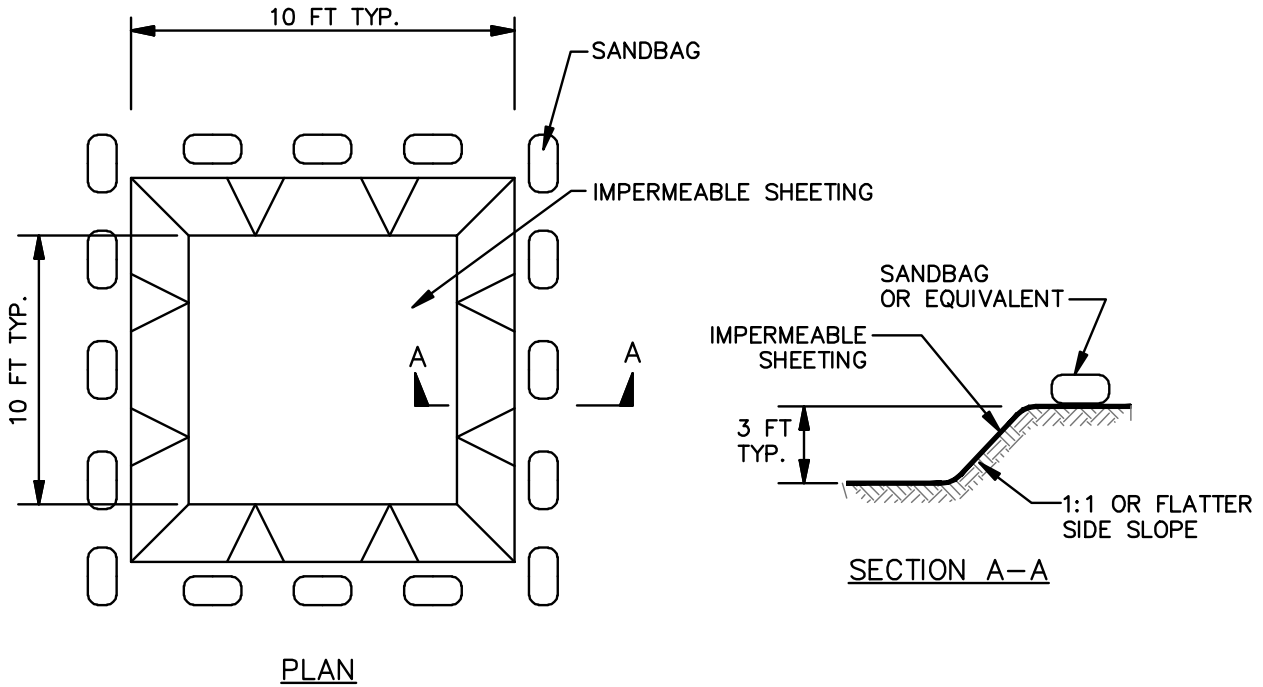
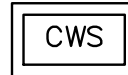
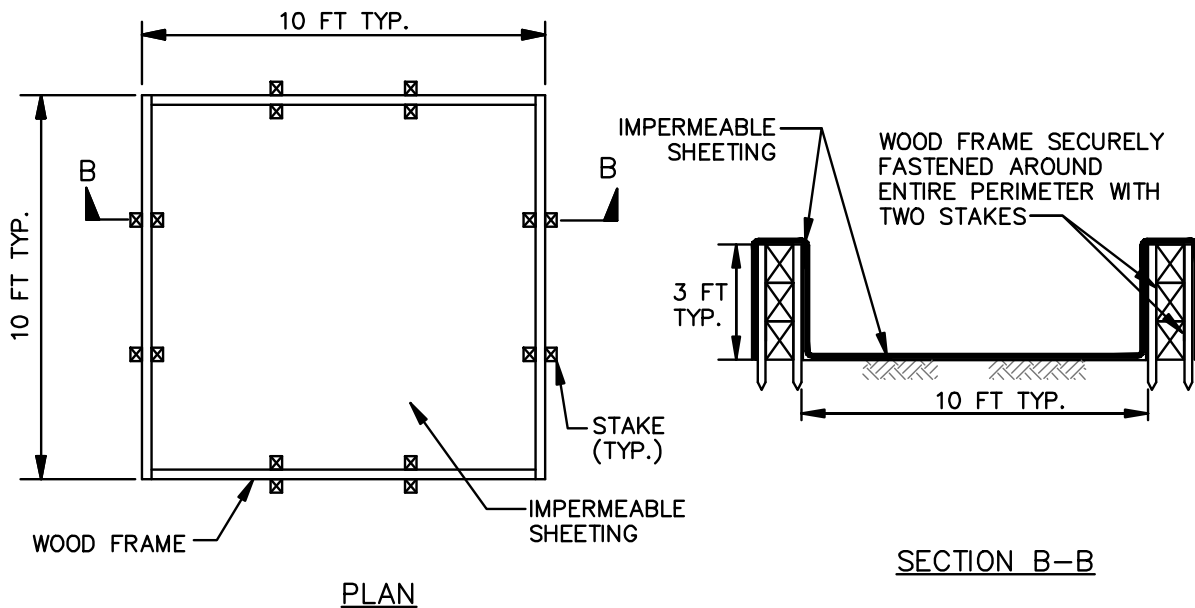


DETAIL H-6 ONSITE CONCRETE WASHOUT STRUCTURE

STANDARD SYMBOL



EXCAVATED WASHOUT STRUCTURE



WASHOUT STRUCTURE WITH WOOD PLANKS